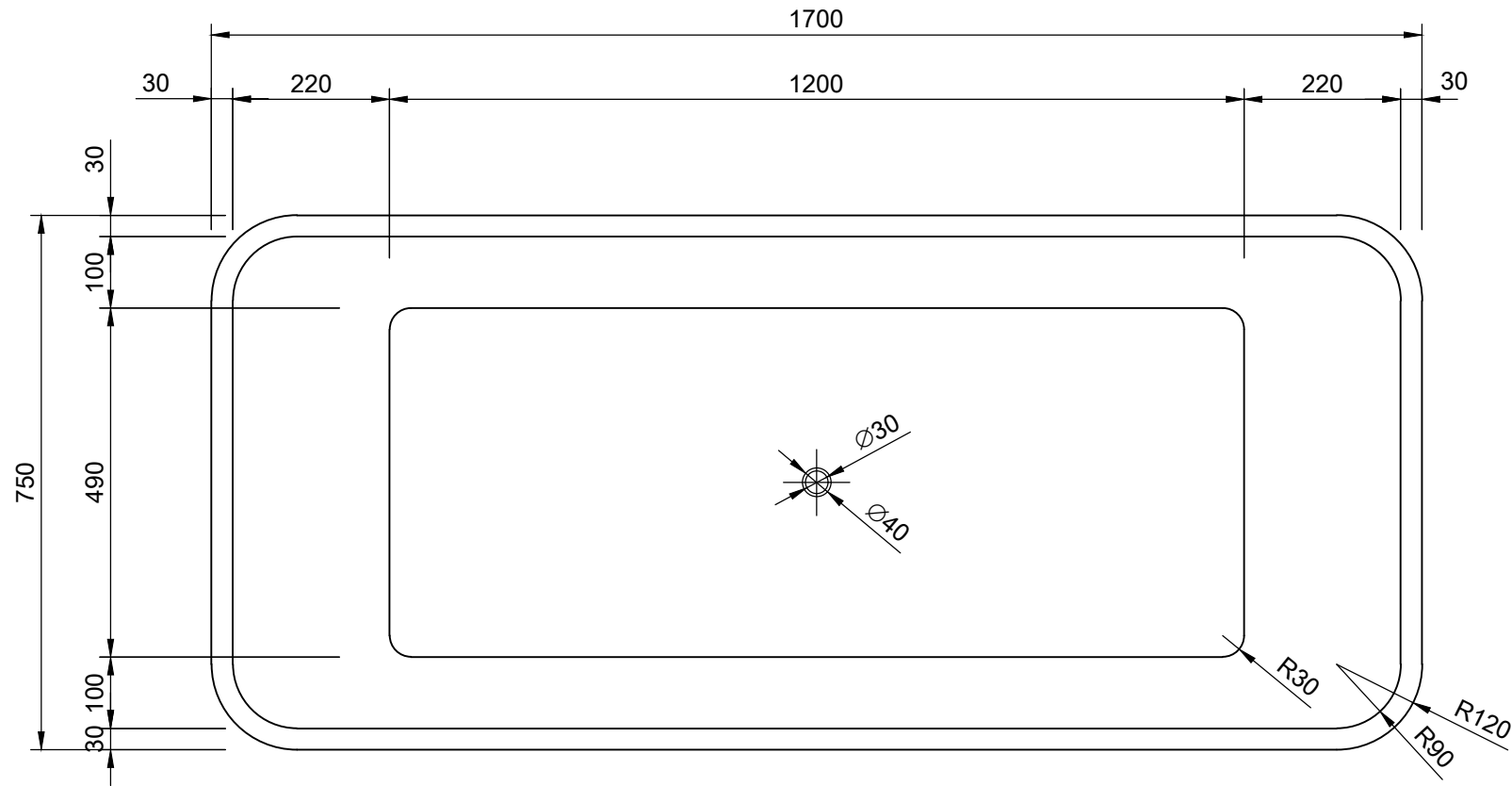
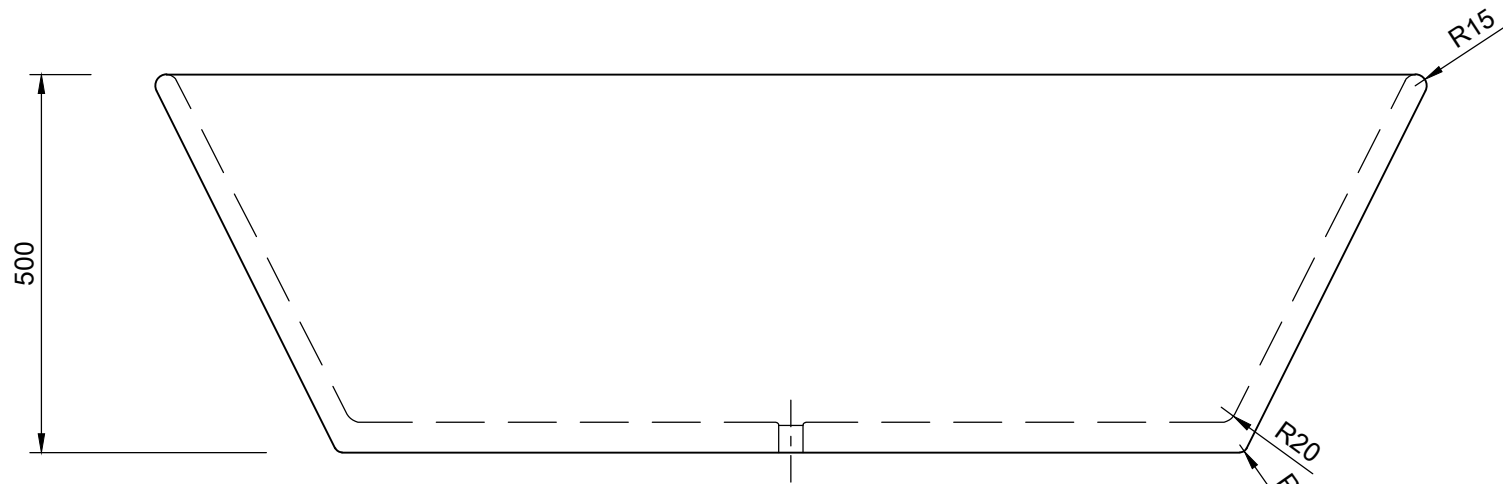
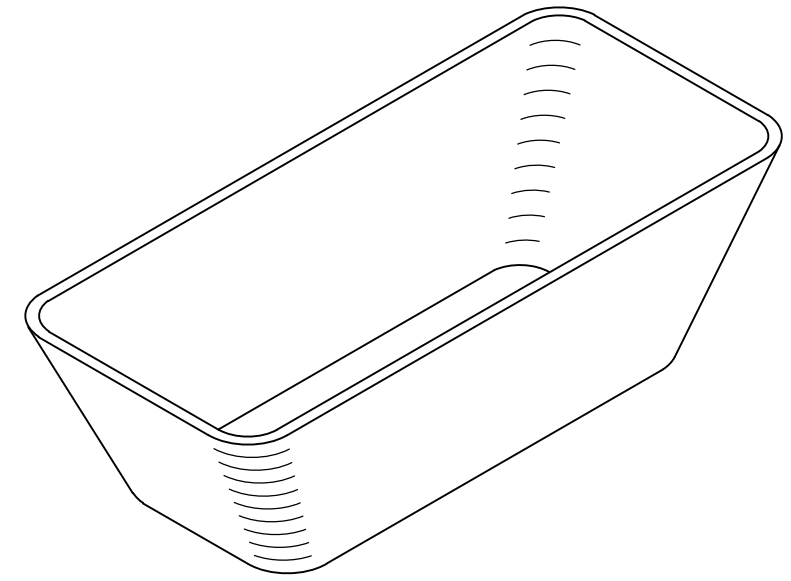


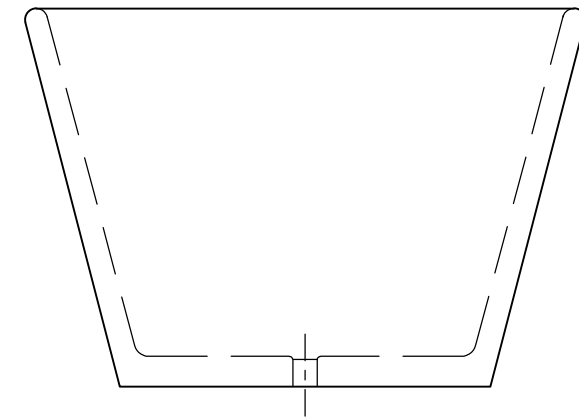
DO NOT SCALE



PLAN



FRONT ELEVATION



SIDE ELEVATION

DIMENSIONS IN MILLIMETERS

FOR APPROVAL

REV	REVISION	BY	DATE
A	ISSUED FOR APPROVAL	TLD	12.05.2021



Concrete Republic Pty Ltd

Workshop Address: 16 Naughton Ave, North Geelong. Victoria

ABN: 80 621 646 839

Email: admin@concreterepublic.com.au

Phone: 0477 885 526

TITLE			
CONCRETE BATH			
PLAN & ELEVATIONS			
DRAWN T.L.DIRCKS	CHECKED	DRAWING No. CR210512-01	REV. A
DATE 21.05.2021	SCALE NTS		